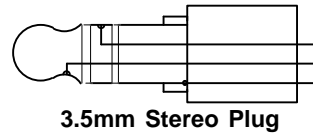
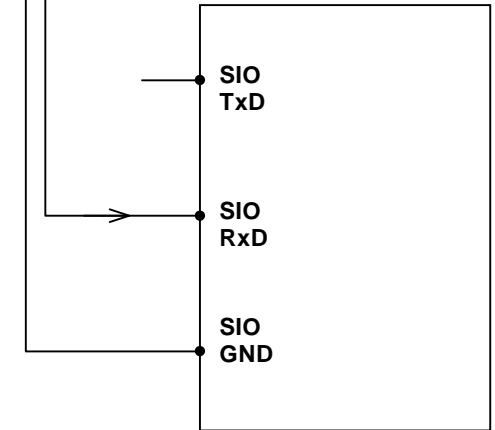


SM3 or SM4 ECU (VIEW FROM WIRE SIDE)



DASH / DATA LOGGER



- NOTES:-
1. Data stream output from the ECU only occurs while it receives no data input. For reliable Data Stream operation. DO NOT connect to ECU RxD signal line.
 2. Data stream output from the ECU is configurable in firmware revisions from v1.09 onwards. Requires activation & configuration in calibration.
 3. Transmission @ 19200 Baud, 10 bits comprising 1 start bit, 8 data bits & 1 stop bit. 20 Hz data packet update rate.
 4. Signal Output level characteristics are RS232 compliant.
 5. Connect Dash/Logger Rxd to ECU Txd signal line. Use 3.5mm Stereo connector 'tip' terminal.
 6. ECU & Dash / Data Logger must share the same power supply ground (-ve).

© Copyright
Aubert Electronics Pty. Ltd.
Victoria Australia



Title: SM3 & SM4 to Dash Serial Data Link		
Approved by: RWA	Date: 08-Feb-16	Size: A4
Document No:	Sheet 1 of 1	Revision: 1.1