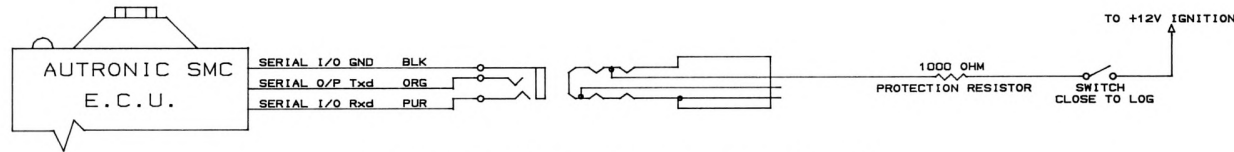
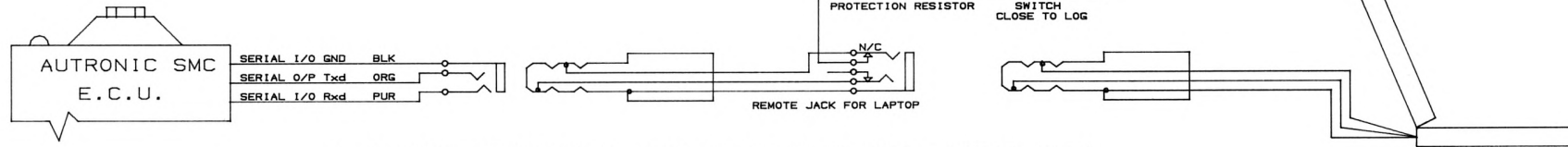


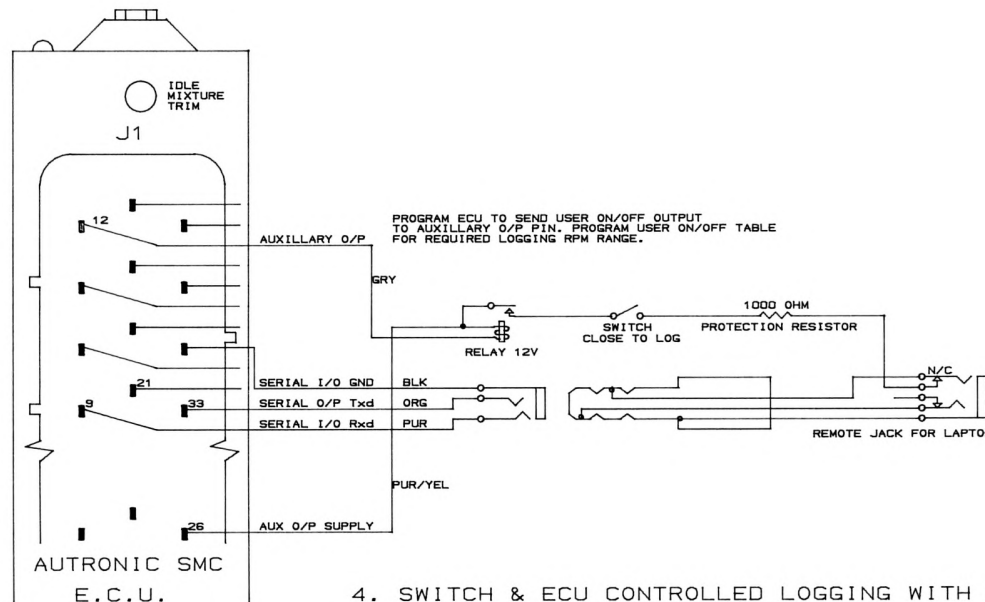
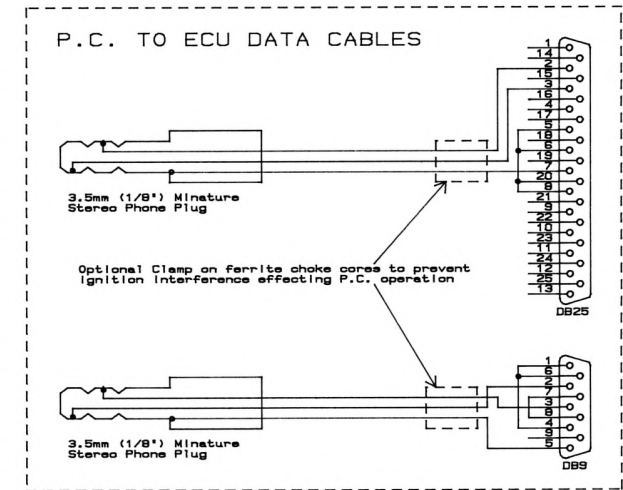
1. LAPTOP CONTROLLED LOGGING



2. BASIC SWITCH CONTROLLED LOGGING



3. SWITCH CONTROLLED LOGGING WITH REMOTE LAPTOP JACK



4. SWITCH & ECU CONTROLLED LOGGING WITH REMOTE LAPTOP JACK

- NOTES:-
1. 1000 OHM PROTECTION RESISTOR PREVENTS DAMAGE TO WIRING DUE TO GROUND SHORT CIRCUIT IN SERIAL CONNECTOR IF IT BECOMES PARTIALLY DISENGAGED FROM JACK.
 2. PREFERABLY USE A 1/4 INCH REMOTE JACK, THESE ARE MORE DURABLE AND EASIER TO USE THAN 1/8 INCH SWITCHED JACKS, ESPECIALLY IF DASH MOUNTED. A 1/8" FEMALE TO 1/4" MALE STEREO ADAPTOR CAN BE INSTALLED ON THE P.C. DATA CABLE TO ADAPT TO THE LARGER 1/4" JACK.
 3. SMC ECUs ARE EQUIPPED WITH AN INTERNAL LOGGING RPM TRIGGER. IF SET THEN LOGGING WILL OCCUR ABOVE SELECTED RPM. THIS FEATURE CAN BE PROGRAMMED TO WORK WITH OR WITHOUT AN EXTERNAL SWITCH. IF THIS INTERNAL FEATURE IS USED THEN THE EXTERNAL METHOD OF RPM TRIGGERING USING THE AUXILLARY O/P AND A RELAY (OPTION 4 BELOW) NEED NOT BE USED.
 4. PLUGGING LAPTOP INTO REMOTE JACK INHIBITS LOGGING ACTIVATION BY SWITCH. THE LAPTOP CAN THEN CONTROL LOGGING, SETUP LOGGER AND EXTRACT LOGGED DATA FROM ECU (SEE OPTIONS 3 & 4).

